

Technical Specifications

Model	TR-D2181IR3
Image sensor	1/2.7" CMOS 8Mp
Resolution	8MP(3840x2160)
Broadcast speed	8MP@15fps
Electronic shutter speed	1/3-1/1 000 s
"Day/Night" mode	Mechanical ICR
Sensitivity	0.005 lux (F1.8)
IR range	Up to 35 m
Lens (mm)	2.8/3.6
Field of view (horiz./vert.)	2.8mm: 110°±3°/59°±3° 3.6mm: 91°±3° / 46°±3°
WDR	Real WDR (120dB)
Digital Noise Reduction	3D DNR
Video compression	H.265+ / H.265 / H.264+ / H.264
Bitrate	up to 10Mbps
Local storage	MicroSD up to 128Gb
Audio	Built-in microphone
Corridor mode	Yes
IVS	Human detection Line crossing Intrusion detection face detector detector of left possessions line crossing statistics
Power	PoE (802.3af) / 12V DC
PoE Class	0
Maximum consumption	DC: 8.5W PoE: 13W
Case material	Metal
Dimensions (mm)	165.3x64.8x64.8
NET/GROSS weight (g)	364/435
IP rating	IP67
Ingress protection	TVS 2000V
Working temperature	-40°C ... +60°C

Service center addresses

Moscow,
17b3 Perevedenovskiy lane
+7(495)783-72-87

Nizhny Novgorod,
31a Premudrova st.
+7(831)228-64-51

St. Petersburg
5 Bobruiskaya st.
+7(812)339-89-29

Novosibirsk,
3/1 3rd Krasheninnikov Lane
+7(383)355-99-39

Vladivostok,
7g Semyonovskaya st.,
+7(423)249-28-29

Yaroslavl,
16bld.81 Polushkina Roscha st.
+7(4852)69-53-75

Samara,
150/1 Aurora st.
+7(846)207-43-68

Kiev,
44E Glybochytskaia st.
+380(44)591-56-83

Krasnodar,
25 Molodezhnaya st.
+7(861)203-38-68

Kazan,
36 Yamashev ave.
+7(843)205-36-57

Ekatereburg,
35a Furmanov st.
+7(343)257-26-43

Rostov-on-Don,
3 Budennovskiy ave.
+7(863)303-36-84

Volgograd,
19 7-Gvardeyskaya st.
+7(8442)78-01-35

Voronezh,
53 Moskovsky ave.
+7(473)204-51-12

Ufa,
6 Luganskaya st.
+7(347)214-90-31

Almaty,
270/4 Kablukova st.
+7(727)350-52-46

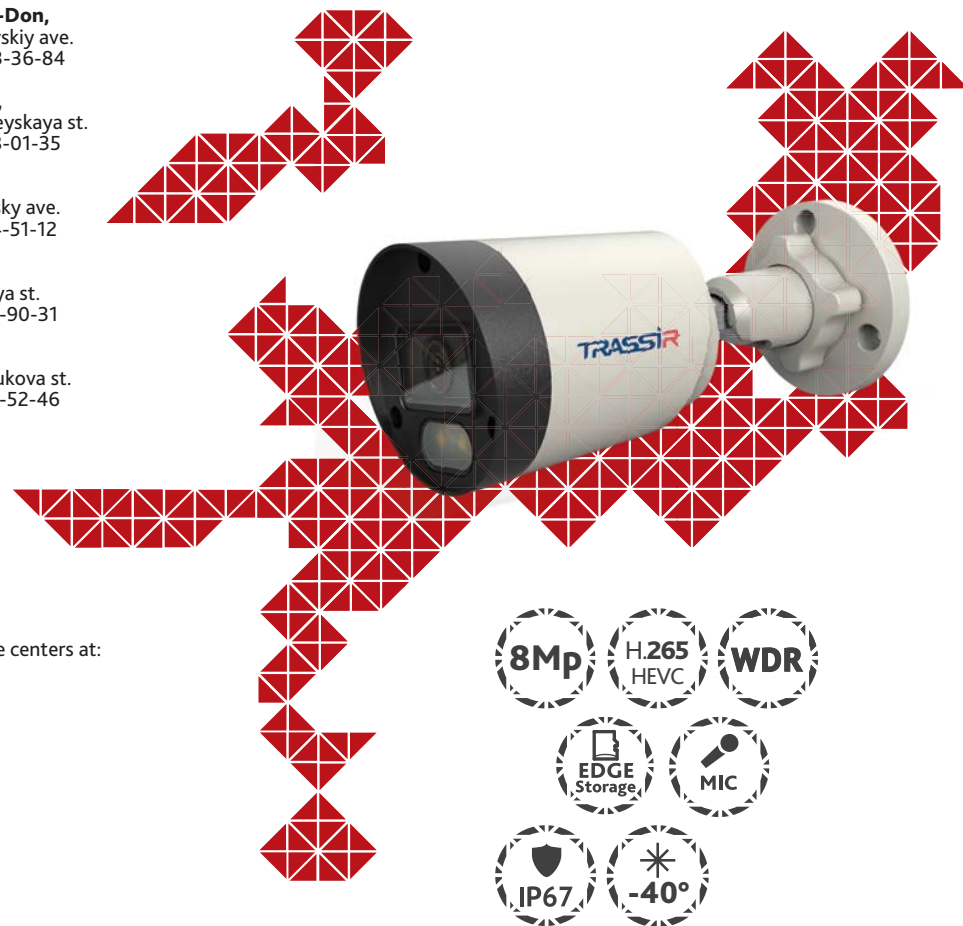
You can find addresses of other service centers at:
www.trassir.com/service/

Date: _____ LS _____

Do not attempt to disassemble the camera, if the camera does not work, contact your place of purchase or a service center.

TR-D2181IR3

Outdoor IP camera with IR illumination



Note:

Please read this user manual before connecting the camera!

Introduction

Congratulations on your purchase of the TR-D2181IR3 IP camera. Please read the user manual for the camera before using it.

Key features

- Support for H.265+ codec
- Wide dynamic range (Real WDR 120dB)
- IR illumination up to 35 meters
- Built-in video archive (Edge Storage) - local recording on MicroSD card up to 128GB*
- Built-in microphone
- Protocols: TCP/IP, ICMP, HTTP, HTTPS, FTP, DHCP, DNS, DDNS, RTP, RTSP, RTCP, NTP, IGMP, UPnP, SMTP, UPnP-TM, P2P, Bonjour, IPv6
- Power 12V DC or PoE
- Lightning protection: TVS 2000V**

*Memory card not included

** The device must be grounded

Accessories included in the kit

1. IP camera 1 pc.
2. User manual 1 pc.
3. Mounting kit 1 pc.

Warning!

The power supply unit must meet the following requirements: output voltage, current, polarity, and operating temperature. When using the camera in thunderstorm conditions, make sure there is a lightning protection device or unplug the power connector.

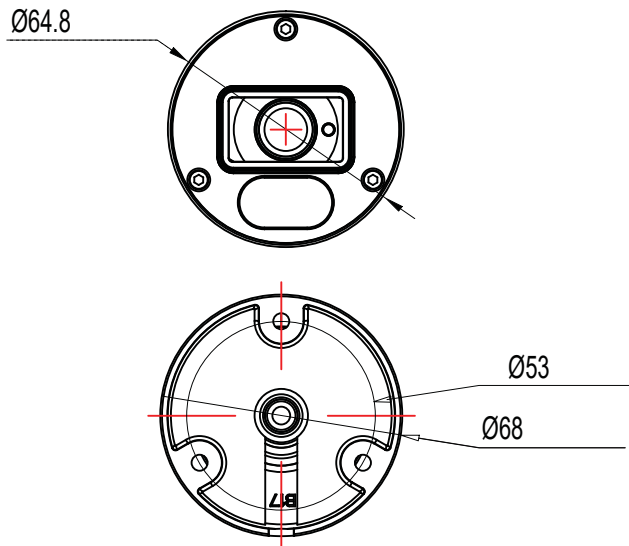
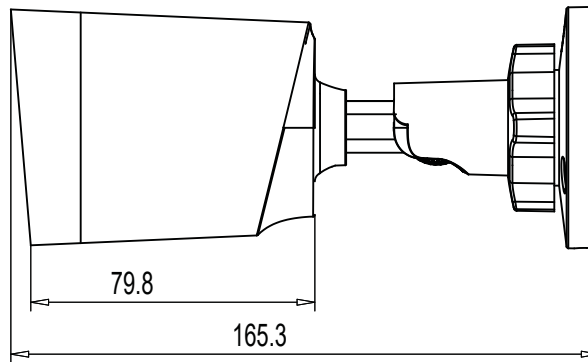
Avoid using the device in temperatures that are too high or too low. Do not install the camera near radiators or heaters. Do not point the camera lens at the sun or at bright objects. Doing so can damage the sensor.

Connection

In order to start using the IP camera, you need a PC connected to a local network with a Windows operating system and Internet Explorer 8 or higher.

1. Connect the camera to the network.
2. When connecting the camera through a switch that does not support PoE, connect a power adapter to the power connector.

Dimensions



Setting the IP address of the camera:

In order to connect to the IP camera, the PC must be on the same local network as the camera. With that, the IP address of the camera, the PC and any other device on the network must not be the same.

The default network settings of the IP camera:

- Camera IP address: 192.168.1.188;
- Subnet mask: 255.255.0.0;
- Gateway: 192.168.1.1;
- HTTP-port: 80;
- user name: admin;
- password: admin.

Example of network settings of a PC:

- IP address: 192.168.1.10;
- Subnet mask: 255.255.0.0.

There are three options to configure the camera:

1. Change the IP address of the camera manually.
In order to do this, start Internet Explorer, connect to the IP camera and enter the user name. Go to the appropriate menu item and change the network settings of the IP camera.
2. Configure the IP address of the camera using the quick configuration utility which can be downloaded from www.trassir.com in the Software section.
3. Change the IP camera settings using the TRASSIR professional software.

The service life of this product is 5 years.

For detailed instructions on configuring the camera, see the user manual which can be downloaded from www.trassir.com in the Technical documentation section.

Connect the camera to the TRASSIR Cloud service and watch videos on your cell phone totally free of charge.